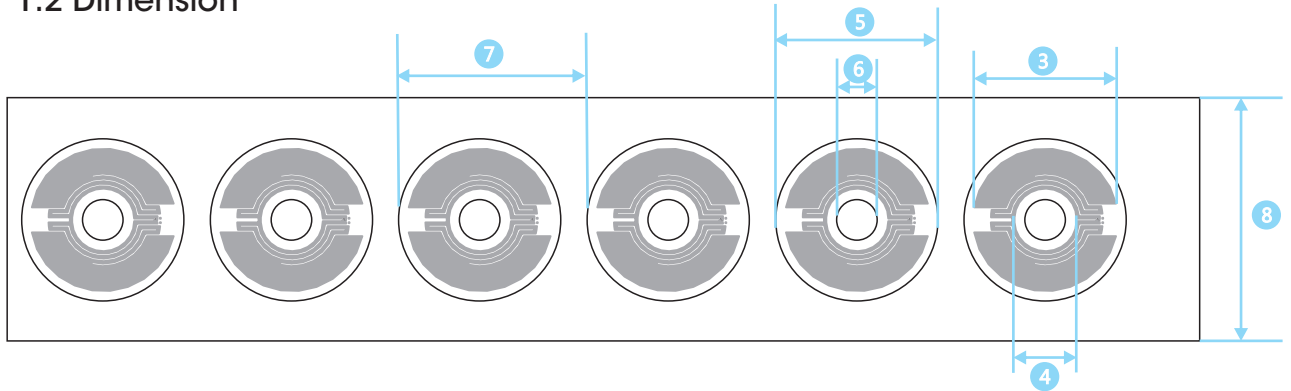


1. Physical Feature

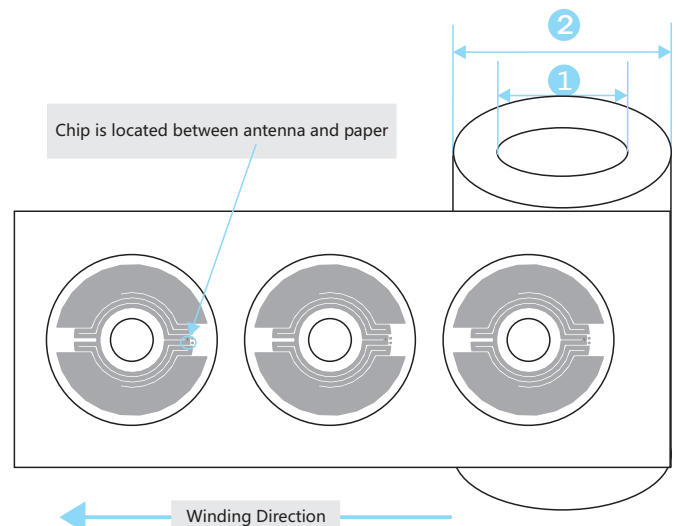
1.1 Picture



1.2 Dimension



NO.	Item	Dimension mm
1	Core ID	3inch (76.2±0.5)
2	Roll OD	≤160
3	Antenna OD	28±0.5
4	Antenna D	12.5±0.5
5	Lable OD	32±0.5
6	Lable D	8±0.5
7	Lable pitch	37.193±0.5
8	Release paper width	40±1



2. Electrical Specification

Item	Description	Remark
IC	Impinj/Monza4QT	
Substrate	PET	
Antenna Process	Aluminum ETCH (AL 9um)	
Protocols Supported	ISO/IEC 18000-6C EPC Class1 Gen2	
EPC	128 Bits	Read/write
TID	48 Bits	Read only
Password	32Bits Allers Password 32Bits Kill password	Read/write
User Memory	512 Bits	Read/write
Operating Frequency	860~960MHz	
Operating Mode	Passive	
Write Cycles	100,000	
ESD-HBM/CDM	2000V	HBM

3. Operating Warning

3.1 Inlays with black ink dot are for bad products, do not use. Position is shown on the right.

3.2 When carrying and applying inlays, keep away from water, violent bump and squeezing.

3.3

Operating Limits : - 40 ~ 70°C / 20% ~ 90% RH.

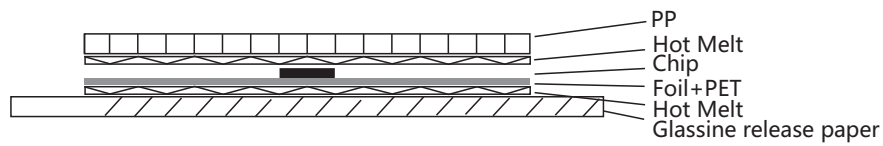
Storage Limits : - 20 ~ 50°C / 20% ~ 90% RH(Without condensation).

The recommended storage temperature : 20 ~ 30°C / 50% RH.

Marking of bad ones



4. Fault Structure



5. Package

Inlay Format	In roll
Delivery Format	2000±10pcs/roll , 4 rolls /carton
Package Format	1, Waterproof, anti-collision, antistatic 2, In antistatic bags